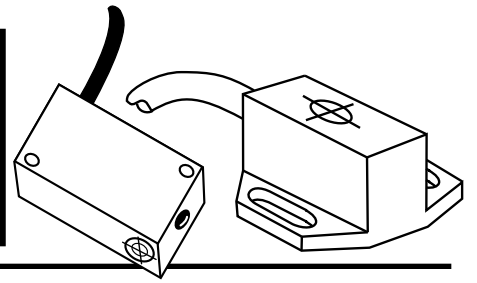


Small Plastic

Inductive Rectangular

DC AC



Proximity Sensors

Connector Type	Circuit Description	Housing Dimensions	Shielded Model No.	Unshielded Model No.	Sensing Range	Maximum Load Current	Leakage Current	Voltage Drop*	Maximum Switching Frequency	Short Circuit Protected
MINIATURE FLAT PACK DC 10-30V										
6.6' Cable	3W, NPN, NO	17x35x35mm	—	ET910-23110	10mm	400mA	<10µA	<2.5 VDC	200Hz	yes
MINIATURE FLAT PACK AC 80-250V										
6.6' Cable	2W, AC, NO	17x35x35mm	—	ET920-23410	10mm	200mA	<2.5mA @220 VAC	<11VAC @200mA	25Hz	no
SMALL RECTANGULAR DC 10-30V										
6.6' Cable	3W, NPN, NO	12x26x40mm	ET910-12110	—	2mm	400mA	<10µA	<2.5 VDC	1200Hz	yes
6.6' Cable	3W, NPN, NO	12x26x40mm	—	ET910-13110	4mm	400mA	<10µA	<2.5 VDC	800Hz	yes
6.6' Cable	3W, PNP, NO	12x26x40mm	ET911-12110	—	2mm	400mA	<10µA	<2.5 VDC	1200Hz	yes
6.6' Cable	3W, PNP, NO	12x26x40mm	—	ET911-13110	4mm	400mA	<10µA	<2.5 VDC	800Hz	yes
SMALL RECTANGULAR AC 20-250V										
6.6' Cable	2W, AC, NO	12x26x40mm	ET920-12410	—	2mm	400mA	<1.5mA @220 VAC	<8 VAC @400mA	25Hz	no
6.6' Cable	2W, AC, NO	12x26x40mm	—	ET920-13410	4mm	400mA	<1.5mA @220 VAC	<8 VAC @400mA	25Hz	no
SMALL RECTANGULAR NAMUR 5-25 VDC										
6.6' Cable	Analog	12x26x40mm	ET912-10310	—	2mm	N/A	—	—	800Hz	N/A
6.6' Cable	Analog	12x26x40mm	—	ET912-11310	4mm	N/A	—	—	400Hz	N/A

* Across conducting sensor

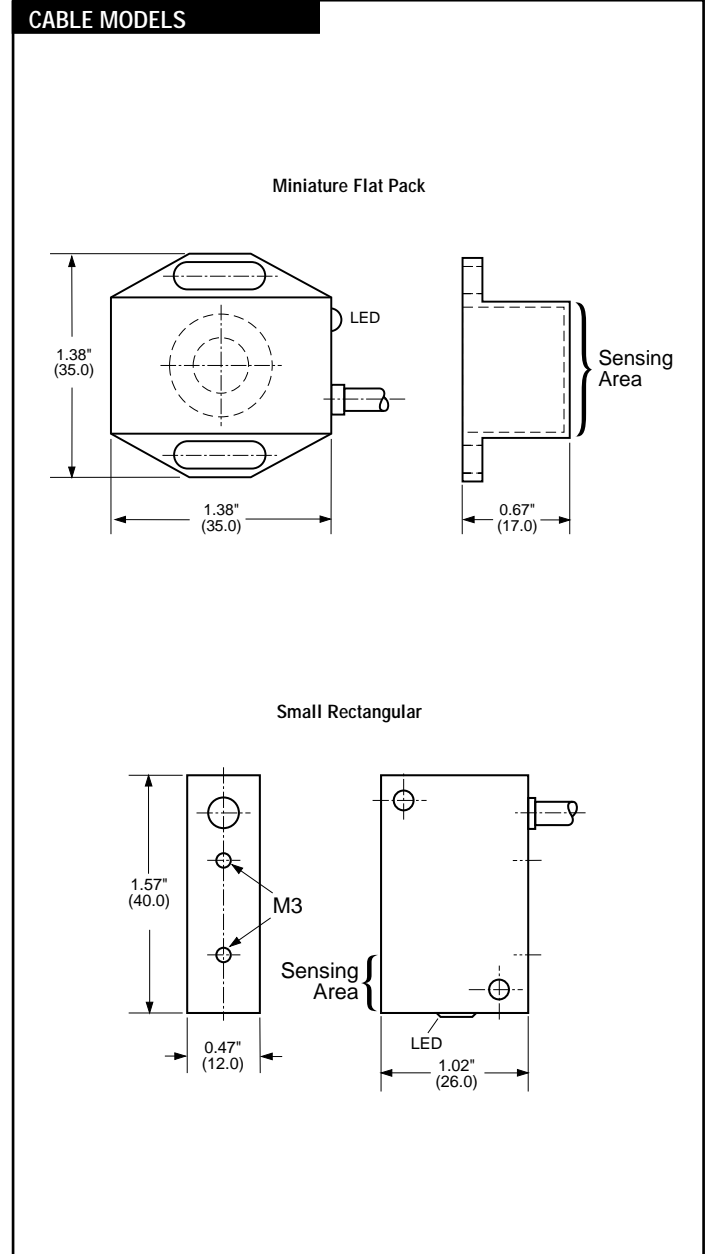
► Consult factory for normally closed model availability.



Common Sensor Characteristics

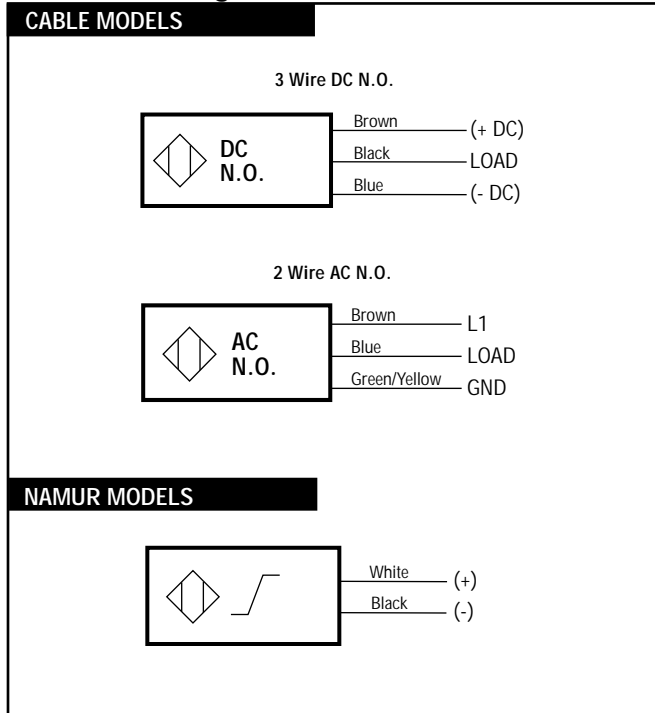
SMALL PLASTIC RECTANGULAR DC & AC SENSORS	
Shielded Sensing Range ($\pm 10\%$)	2mm
Unshielded Sensing Ranges ($\pm 10\%$)	4mm & 10mm
Standard Target (mm) (mild steel)	12x12x1 (2mm Shielded) 16x16x1 (4mm Unshielded) 30x30x1 (10mm Unshielded)
Repeatability	$\pm 1\%$ (Shielded) $\pm 2\%$ (Unshielded)
Hysteresis	3-8% (typ.); 15% (max.)
Range Drift over Temperature	$\pm 15\%$
Operating Temperature Range	-13°F to +158°F
Reverse Polarity Protected	yes
Current Consumption (3-wire DC only)	<1.5mA
NEMA Enclosure Type	1, 3, 4, 4x, 6, 13
LED Indicator	red = target
Plastic Housings	Ultradur®
Cable Type	PVC
Shipping Weight	10 oz.

Dimensional Drawings



Proximity Sensors

Circuit Drawings



NAMCO

2013 West Meeting Street • Lancaster, SC 29720
1-803-286-8491 • FAX: 1-800-678-6263
www.namcocontrols.com

For technical assistance, call 1-800-NAMTECH